

GRANGER PLASTICS



SOLUTIONS BEYOND EXPECTATIONS

**YOUR PARTNER IN
CUSTOM ROTATIONAL MOLDING**

**1600 M.A.D.E. INDUSTRIAL DRIVE
MIDDLETOWN, OH 45044
PHONE (513) 424-1955
FAX (513) 424-4799**

www.grangerplastics.com

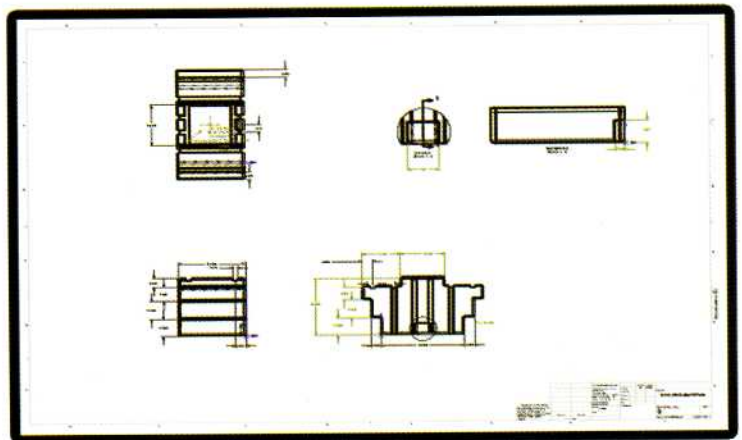
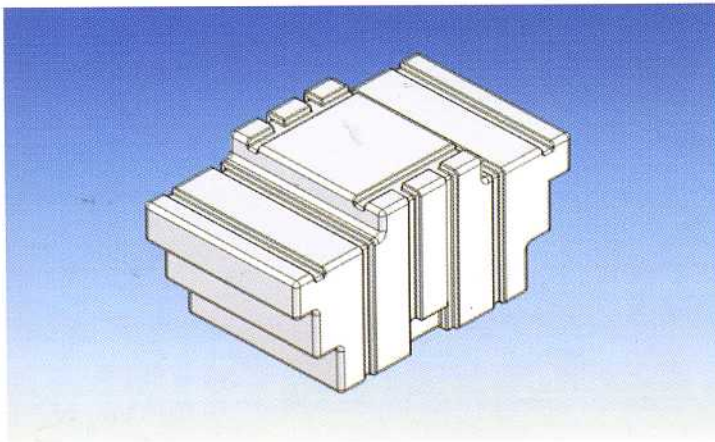
MISSION STATEMENT

The Granger Plastics Company is committed to producing high quality parts, for on-time delivery to our customers, both internal and external.

We will perpetuate a never-quit attitude along with some aggressive risk taking to allow us to consistently think outside "the norm" to satisfy the ever-changing needs of our customers and ourselves.

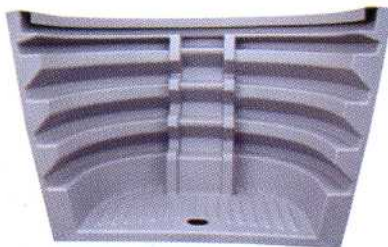
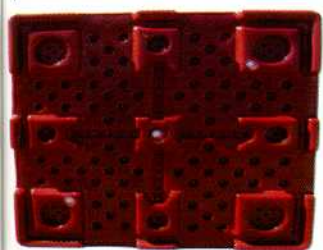
We will accept nothing less than the expected requirements of quality and service to always maintain the integrity of the Granger Plastics name. We will always strive for excellence in our quest for World Class Manufacturing.

CONCEPT AND DESIGN



Since the founding of Granger Plastics, we have provided solutions for customers in many industries, from aerospace to waste management. We offer design assistance through 3-D modeling software and have the capabilities to provide prototypes for most designs. When your needs arise and you desire to obtain products that are top quality, on time, cost effective and from a supplier in which you can always rely,

Call Granger Plastics!
(513) 424-1955 Phone
(513) 424-4799 Fax



TOOLING

Specializing in large and/or difficult-to-mold products; Granger Plastics understands that tooling is one of the most important contributors to the success of any product. This understanding is the driving force behind Granger Plastics mold fabrication department. Granger Plastics produces high quality molds from aluminum at minimal costs to our customers. When the rare opportunity exists, Granger Plastics also makes available all other types of tooling such as cast aluminum and machined aluminum. Call to see if your project qualifies for our

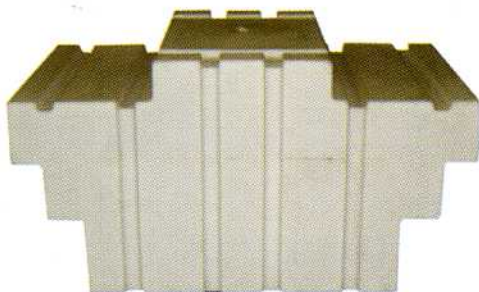


“Free Tooling Program”!

MANUFACTURING

Granger Plastics operates 24 hours per day, 7 days per week. This rigorous production schedule allows us to react to the needs of our customers. Granger Plastics production department operates in a 40,000 square foot facility with 3 Rotational Molding Machines capable of sizes up to 160". Granger Plastics provides all support services such as complete assembly, packaging and drop shipments to consumers.

Granger Plastics is located just 30 miles north of Cincinnati, OH, just off of I-75.



WAREHOUSING

Granger Plastics operates an off-site warehouse that allows us to keep tight controls over all raw material and finished goods inventory. This concept allows our customers to place blanket orders with forecasted ship dates and allows Granger Plastics to produce these products as our production schedule allows. All this assures a response to our customers' needs.



Granger Plastics

**Phone (513) 424-1955 1600 M.A.D.E. Industrial Dr. Fax (513) 424-4799
Middletown, OH 45044**

<http://www.grangerplastics.com>



GRANGER PLASTICS

1600 M.A.D.E. INDUSTRIAL DR.
MIDDLETOWN, OH 45044

(513) 424-1955 PHONE

(513) 424-4799 FAX

WWW.GRANGERPLASTICS.COM

Solutions Beyond Expectations

